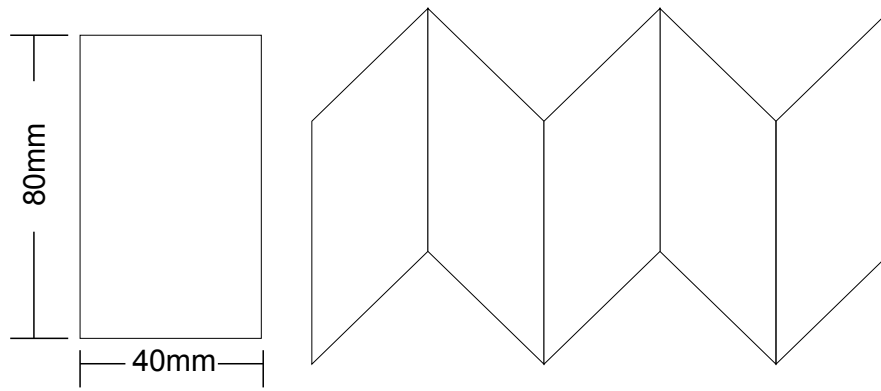

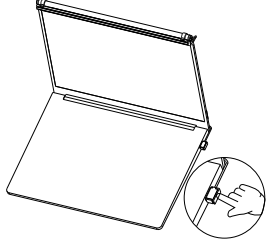
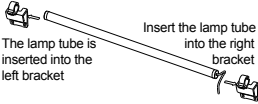
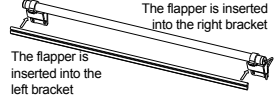
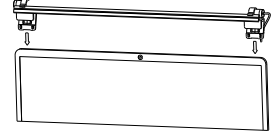
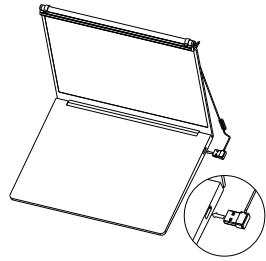
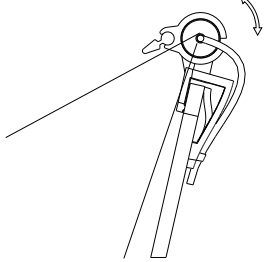
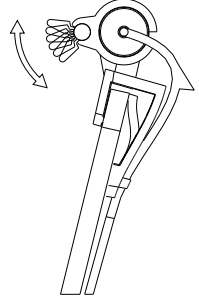
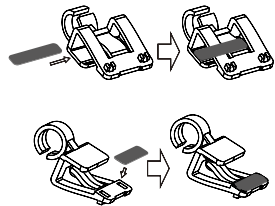



名称: FY-GD04-01说明书
 尺寸: 40*80mm
 材料: 128g双铜
 印刷方式: 风琴4折, 黑白正反印刷
 语言: 英语



<p>User Manual</p> <p>FY-GD04-01</p> 	<p>1. Product specifications</p> <p>Product Model: FY-GD04-01 Input voltage range: DC5V Input Current(max): 1A Power :3W Color temperature: 3000K +6000K Working environment: -10-40 C</p> <p>2. Function</p> 	<p>① single press 0.5 seconds to turn on the machine; ② single touch section color temperature, ③ long press to adjust the brightness; ④ double-click to turn off the light.</p> <p>3. Installation method</p> <p>① Insert the lamp into the stand</p> 	<p>② The flapper is inserted into the bracket</p>  <p>③ The stand is inserted into the top of the laptop display</p> 	<p>④ Insert the USB plug into the laptop USB port</p> 
--	---	--	--	---

<p>⑤ The lamp rotation adjustment to the appropriate irradiation Angle</p> 	<p>⑥ The baffle can be adjusted up and down to the right position</p> 	<p>⑦ This product is compatible with screen thickness size 3.0~7.0 mm. If the clip is loose or slide, it can be pasted with an anti-skid pad, which can solve this problem.</p> 	<p>Reminder :When the USB power port of the computer is on the other side, the lamp can be installed and used by changing its position.</p>	<p>MADE IN CHINA</p> 
--	---	---	--	--